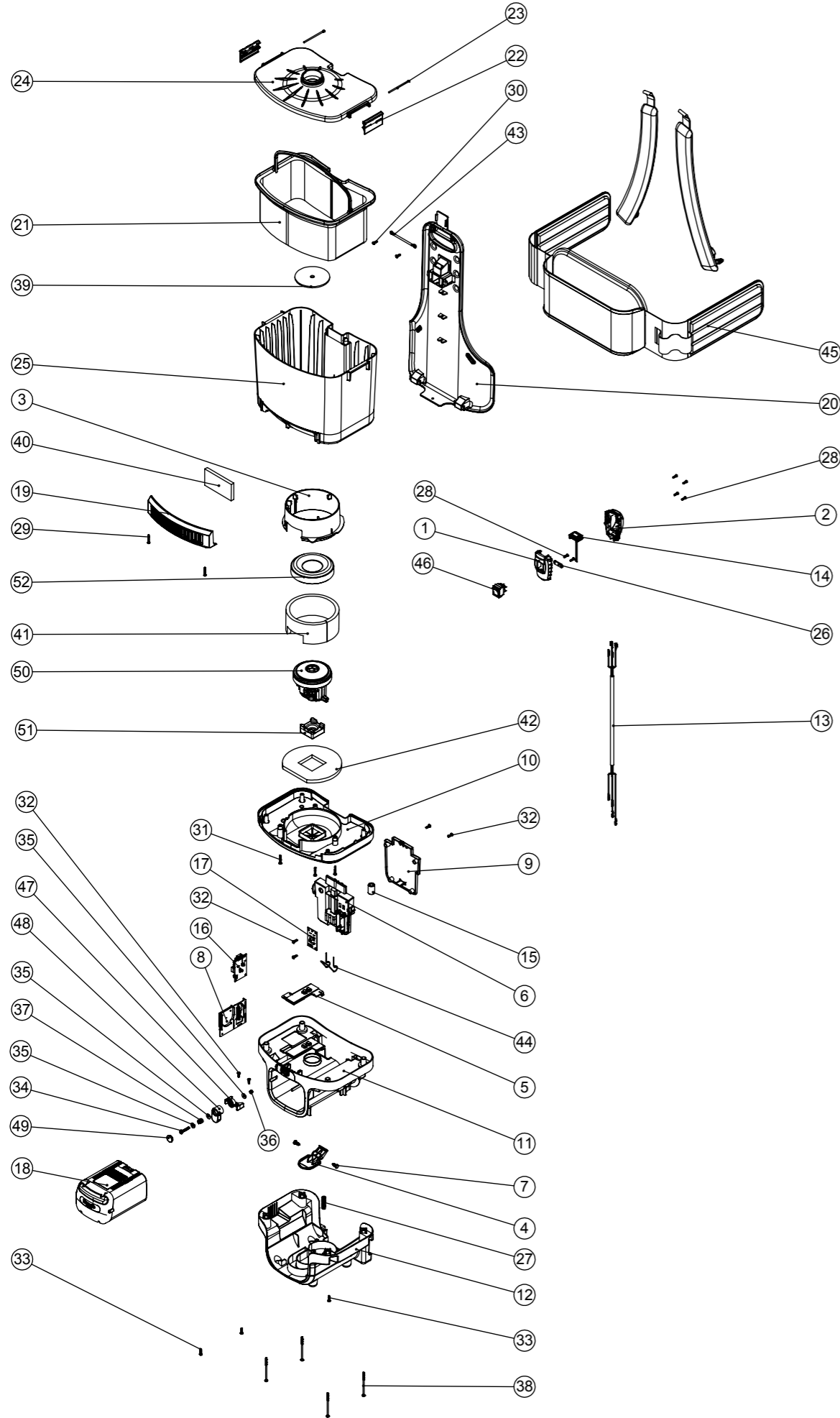


Numatic International Spare Parts

Model No: RSB (RUCSAC BATTERY) EXPLODED DRAWING

NB: FOR WIRING SEE DRAWING: DRW-12137

234994
DRAWING: DRW-12105 ISS:A02
10/05/2013

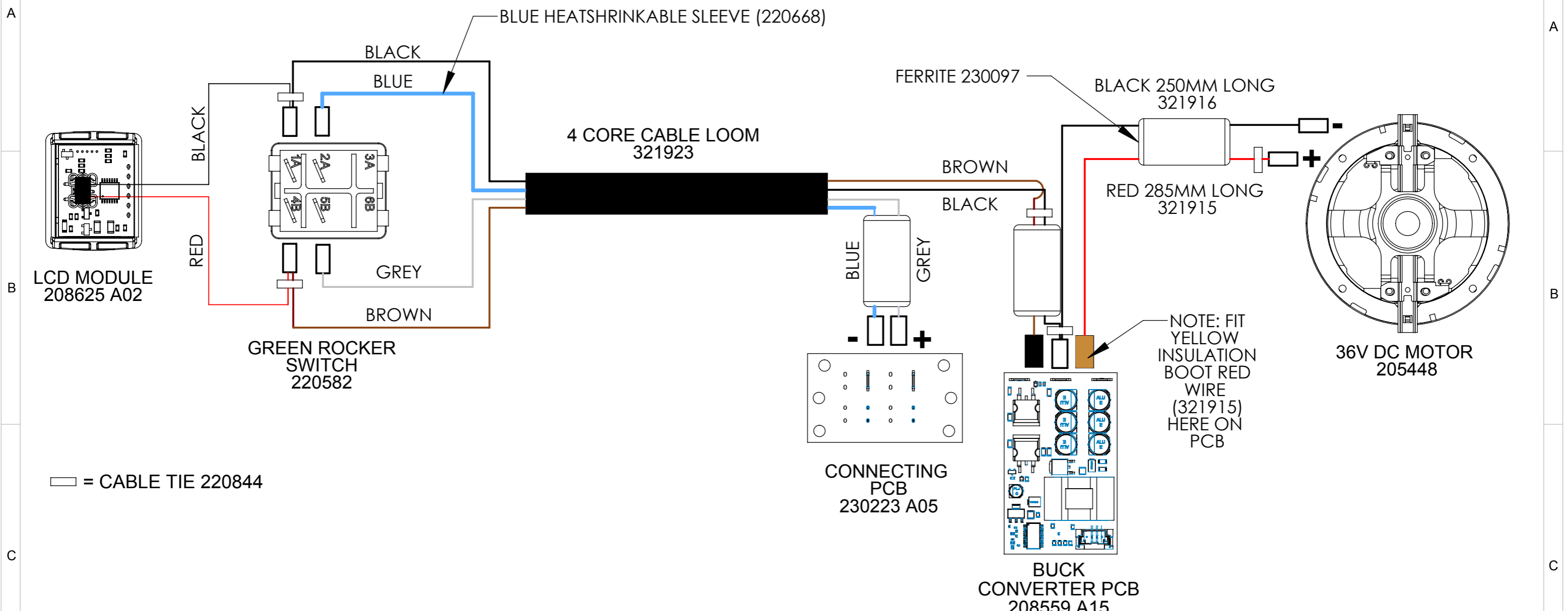


Numatic International Spare Parts

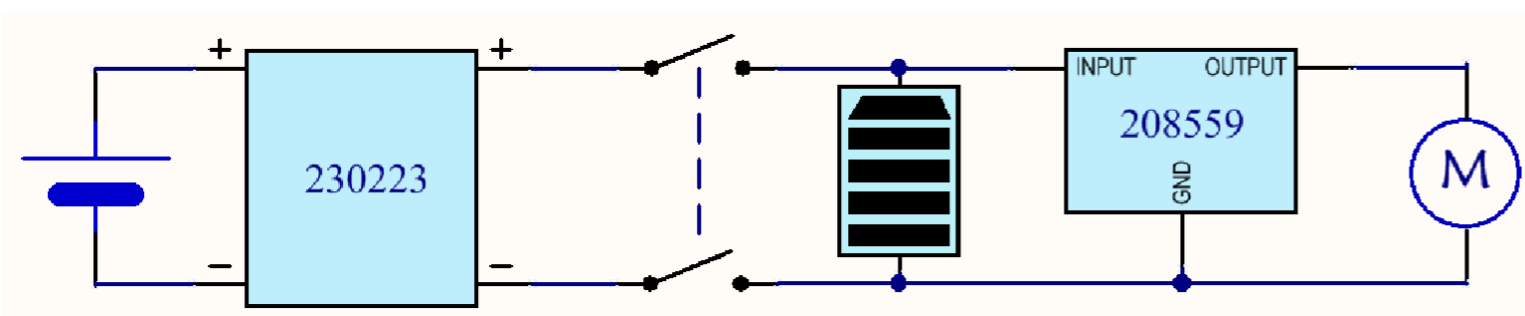
Model No: RSB (RUCSAC BATTERY) EXPLODED DRAWING

ITEM:	PART No:	DESCRIPTION	COMMENTS:
1	237594	RSV SWITCH MODULE HOUSING (1/2)	
2	237595	RSV SWITCH MODULE HOUSING (2/2)	
3	237585	RSB INNER MOTOR SLEEVE	
4	237588	RSB BATTERY RELEASE CATCH	
5	237586	WIRE MANAGEMENT INSERT	
6	237589	RSB CABLE HOUSING FRONT	
7	237597	BATTERY RELEASE TOGGLE - HINGE PIN	
8	237582	PCB BRACKET	
9	237590	RSB CABLE HOUSING BACK	
10	237584	RSB TOP MOTOR HOUSING	
11	237583	RSB BATTERY HOUSING	
12	237587	RSB LOWER FASCIA	
	237457	RSB LOWER FASCIA (BLACK)	MID BLUE & ROYAL BLUE MACHINES
13	321923	RSB SWITCH CABLE LOOM	
	230231	RSB USA / CSA CABLE LOOM ASSEMBLY	USA
14	208625	LED DISPLAY	
15	230097	AXIAL FERRITE BEAD	
16	208559	POWER CONTROL PCB. SYNCHRONOUS BUCK CONVERTER	
17	230223	BATTERY VAC CONNECTING PCB	
18	230211	NUMATIC LiPo BATTERY 36V	
19	227199	DIFFUSER MOULDING (BEC)	
20	206509	BACK SUPPORT MOULDING (LONG)	
21	207111	FILTER ASSEMBLY	
22	227186	TOGGLE MOULDING	
23	206326	TOGGLE PIN	
24	227183	LID MOULDING	
25	328130	RSV 130 BODY MOULDING (MID BLUE)	
	328149	RSV 130 BODY MOULDING (RED)	
	328964	RSV 130 BODY MOULDING (ROYAL BLUE PRINTED WHITE NACECARE)	
26	392305	REMOTE CABLE CLAMP	
27	216465	11MM COIL SPRING	
28	219667	No6 X 1/2" LONG PLASTITE SCREW	
29	219602	No6 X 1 INCH LONG POZI PAN PLASTITE SCREW	
30	219601	No8 X 3/8 INCH LONG POZI PAN PLASTITE SCREW	
31	219104	No8 X 1 INCH LONG POZI PAN PLASTITE SCREW	
32	219101	No8 X 1/2 INCH LONG POZI PAN PLASTITE SCREW	
33	219105	No8 X 5/8 INCH LONG POZI PAN PLASTITE SCREW	
34	219720	M5 X 30MM LONG STAINLESS STEEL POZI PAN SCREW	
35	219644	M5 FORM G STAINLESS STEEL WASHER	
36	219076	M5 NYLON INSERT NUT	
37	206599	SPRING (REF:C5514370)	
38	291049	No8 X 2.95 TX-PN-PLAST SCREW	
39	209085	RSB BURST BAG FILTER	
40	209084	RSB DIFFUSER GRILLE FOAM	
41	209083	RSB MOTOR SIDE ACCOUSTIC BARRIER	
42	209082	RSB MOTOR TOP ACOUSTIC BARRIER	
43	206353	HARNESS PIN	
44	216655	BATTERY RELEASE SPRING	
45	206462	RSV HARNESS ASSEMBLY	
46	220243	BLACK/GREEN ROCKER SWITCH	
47	237591	BATTERY RELEASE BASE MOULDING	
48	237592	BATTERY RELEASE TOP MOULDING	
49	237593	LOCKING CAP	
50	205448	36V DC MOTOR (AMETEK)	
51	237617	MOTOR TOP MOUNT	
52	237616	MOTOR GASKET	

Production



Schematic:



Qualification of alternative supplier components upon submission of appropriate data sheets and approvals documentation	ASSEMBLY TO BE RoHS COMPLIANT	DIMENSIONS IN MILLIMETERS	TOLERANCES +10 / -5 mm UNLESS OTHERWISE STATED	PRINT SIZE A3 NOT TO SCALE	Supplier Test Req:	Supplier Packing Req:	Special Approvals Req.:	Numatic International Limited	TITLE: WIRING DIAGRAM.VACUUM.1S.BT.36.1SDAF.250.1.RS.IBT	
CHANGE DETAIL: UPDATED ISSUE FOR PART 208559	Internal Code: PRO	DRAWN: martins	APPROVED: MJC	DATE: 28/07/2015	THIS DRAWING IS COPYRIGHT AND IS THE PROPERTY OF NUMATIC INTERNATIONAL LTD. AND MUST NOT BE USED WITHOUT THEIR KNOWLEDGE NOR COMMUNICATED TO ANY PERSON OR COMPANY			ITEM No. 123386	DRG No DRW-12137	REVISION No. A05